

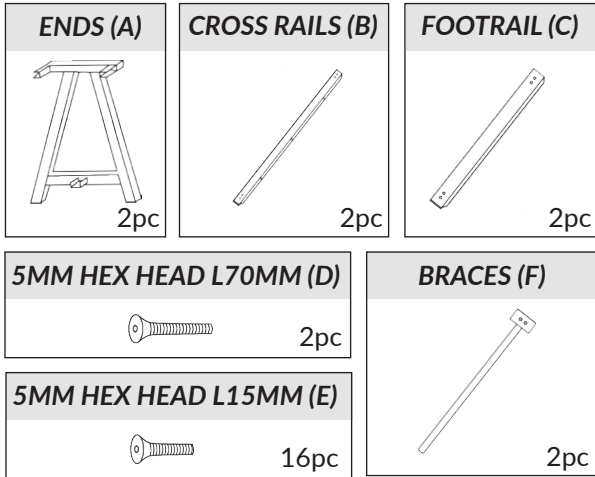
# AFRAME

1200mm, 1500mm, 1800mm, & 2100mm Table & Bar Frames

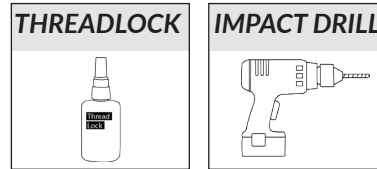


scan me

## PARTS:



## TOOLS (NOT INCLUDED):



We strongly recommend applying thread lock to the full length of all screws and using an impact drill. Scan the QR code with a phone or tablet to access the assembly video.

### WARNING:

Always take care with an impact drill gun.

## INSTRUCTIONS:

